

Roughneck[®] Connectors

ROUGHNECK E1049 SERIES

FOR USE WITH SINGLE CONDUCTOR FOR
313-777 MCM CABLE

TECHNICAL SPECIFICATIONS

VOLTAGE RATING: 1,000 MAX.

AMPERAGE RATING: 1,135 MAX.



NEW RECEPTACLE HOUSING ALLOWS FOR
VERTICAL, HORIZONTAL OR 45° ANGLE

SINGLE HOLE BUS BAR

COLOR	FEMALE COMPLETE RECEPTACLE ASSEMBLY	SHELL ASSEMBLY	FEMALE CONTACT ASSEMBLY
Black	E1049-1825X-BK	3326695-1	A201108-1
Yellow	E1049-1826X-Y	3326695-2	A201108-2
Red	E1049-1827X-R	3326695-3	A201108-3
Orange	E1049-1828X-OR	3326695-4	A201108-4
Green	E1049-1829X-G	3326695-5	A201108-5
White	E1049-1830X-W	3326695-6	A201108-6
Blue	E1049-1831-BL	3326695-7	A201108-7
Brown	E1049-1832X-BR	3326695-8	A201108-8

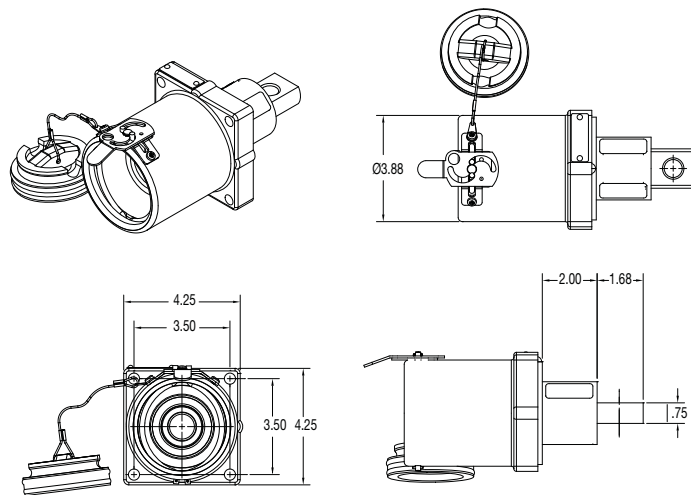
SINGLE HOLE BUS BAR

COLOR	MALE COMPLETE RECEPTACLE ASSEMBLY	SHELL ASSEMBLY	MALE CONTACT ASSEMBLY
Black	E1049-1800X-BK	3326695-1	A201099-1
Yellow	E1049-1801X-Y	3326695-2	A201099-2
Red	E1049-1802X-R	3326695-3	A201099-3
Orange	E1049-1803X-OR	3326695-4	A201099-4
Green	E1049-1804-G	3326695-5	A201099-5
White	E1049-1805X-W	3326695-6	A201099-6
Blue	E1049-1806X-BL	3326695-7	A201099-7
Brown	E1049-1807X-BR	3326695-8	A201099-8

Available in aluminum. Consult factory for details.

Receptacle assembly part numbers include the insulator, receptacle housing, gasket and dust cover.

Dust cover receptacle male or female part number A201113-5.



MALE RECEPTACLE SINGLE HOLE